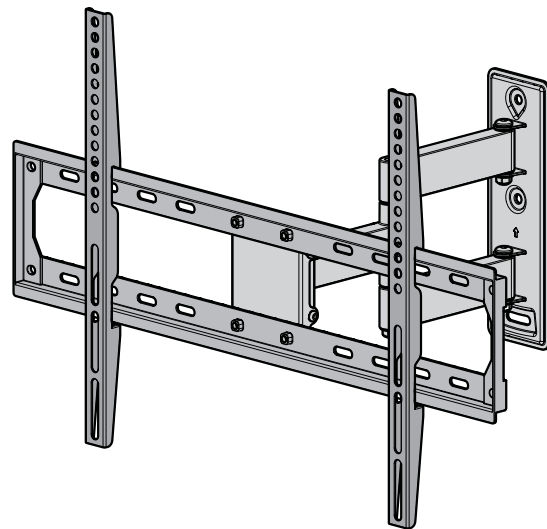


SECURA



QLF214 INSTRUCTION MANUAL

We'll Make It Stress-Free

If you have any questions along the way, just give us a call.
1-800-359-5520. (UK: 0800 056 2853) We're ready to help!

Before getting started, let's make sure this mount is perfect for you!

1 Does your TV (including accessories) weigh MORE than?

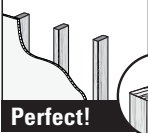
100 lbs. (45.3 kg) For walls with **wood studs**.

80 lbs. (36.2 kg) For solid **concrete** or concrete block walls.


No? Perfect – you may continue.
Yes? This mount is NOT compatible. Visit secura-av.com or call 1-800-359-5520 (UK: 0800 056 2853) to find a compatible mount.

CAUTION: DO NOT exceed the maximum weight indicated for your wall structure. This mounting system is intended for use only with the maximum weights indicated. Use with products heavier than the maximum weights indicated may result in collapse of the mount and its accessories, causing possible injury.

2 What is your wall made of?

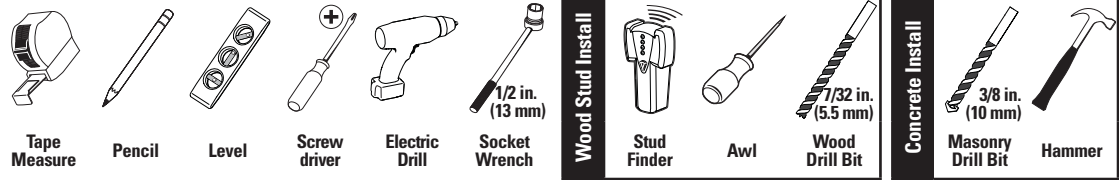
Drywall with wood studs?

Perfect!

CAUTION:
DO NOT install into drywall alone

Solid concrete or concrete block?

Perfect!

Unsure?
Call Customer Service:
1-800-359-5520
(UK: 0800 056 2853)

3 Do you have all the tools needed?



4 Ready to begin?

Please read through these instructions completely to be sure you're comfortable with this easy install process. Also check your TV owner's manual to see if there are any special requirements for mounting your TV.

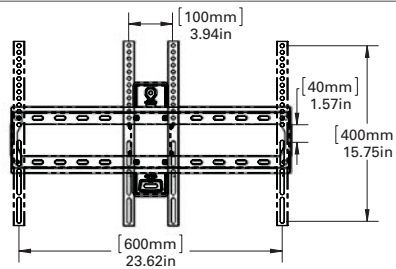
If you do not understand these instructions or have doubts about the safety of the installation, assembly or use of this product, contact Customer Service at 1-800-359-5520 (UK: 0800 056 2853).

CAUTION: Avoid potential personal injury or property damage!

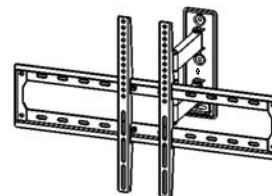
- This product is designed for use in wood stud, solid concrete, and concrete block walls - DO NOT install into drywall alone
- The wall must be capable of supporting five times the weight of the TV and mount combined
- Do not use this product for any purpose not explicitly specified by manufacturer
- Manufacturer is not responsible for damage or injury caused by incorrect assembly or use

Dimension Specifications in. [mm]

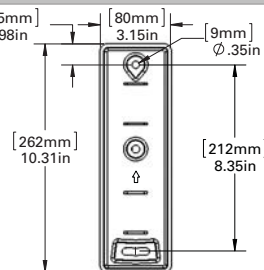
TV INTERFACE



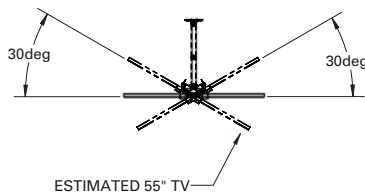
3-D



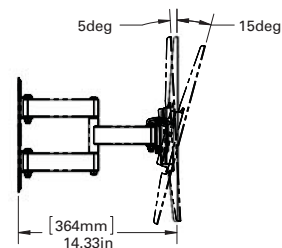
WALL PLATE



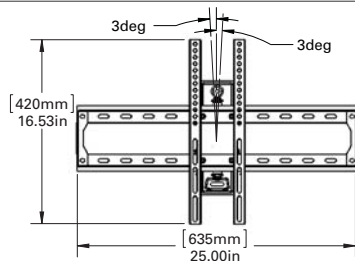
TOP VIEW - EXTENDED



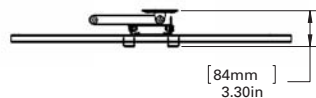
SIDE VIEW - EXTENDED



FULLY ASSEMBLED MOUNT



TOP VIEW - RETRACTED



SIDE VIEW - RETRACTED



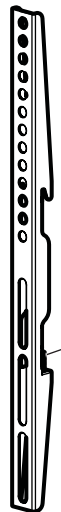
Supplied Parts and Hardware

⚠ WARNING: This product contains small items that could be a choking hazard if swallowed. Before starting assembly, verify all parts are included and undamaged. If any parts are missing or damaged, do not return the damaged item to your dealer; contact Customer Service. Never use damaged parts!

📄 NOTE: Not all hardware included will be used.

STEP 1 Parts and Hardware

TV Bracket



Locking Screw
(Attached to TV Brackets)



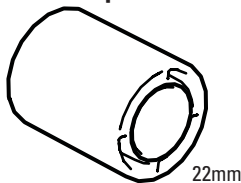
01 x2

Washers



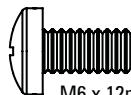
02 x4

Spacers



03 x4

TV Screws



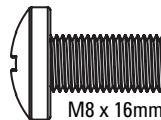
M6 x 12mm

04 x4



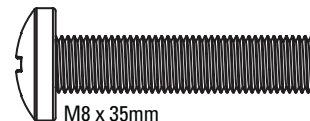
M6 x 35mm

07 x4



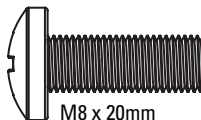
M8 x 16mm

05 x4



M8 x 35mm

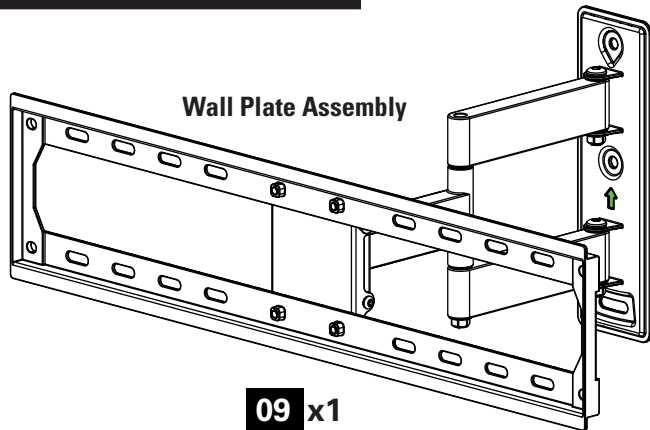
08 x4



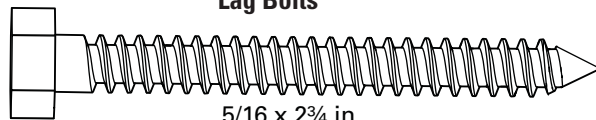
M8 x 20mm

06 x4

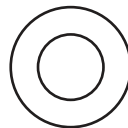
STEP 2 Parts and Hardware



10 x3



11 x3



Washers (Lag Bolt)
.695 x .350 x .075 in.

For concrete installations ONLY

CAUTION: Do not use in drywall or wood

Concrete Anchors

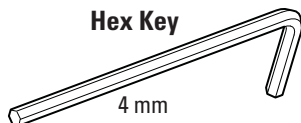
12 x3



Fischer UX 10 x 60R

Adjustments

13 x1



STEP 1 Attach Brackets to TV

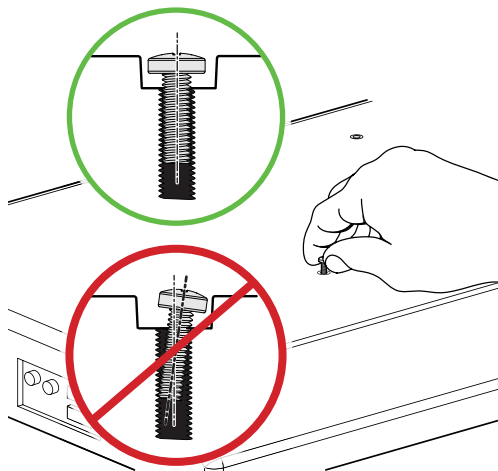
1-1 Select TV Screw Diameter

Hand thread screws into the threaded inserts on the back of your TV to determine which screw diameter (M6, or M8) to use.

M6



M8

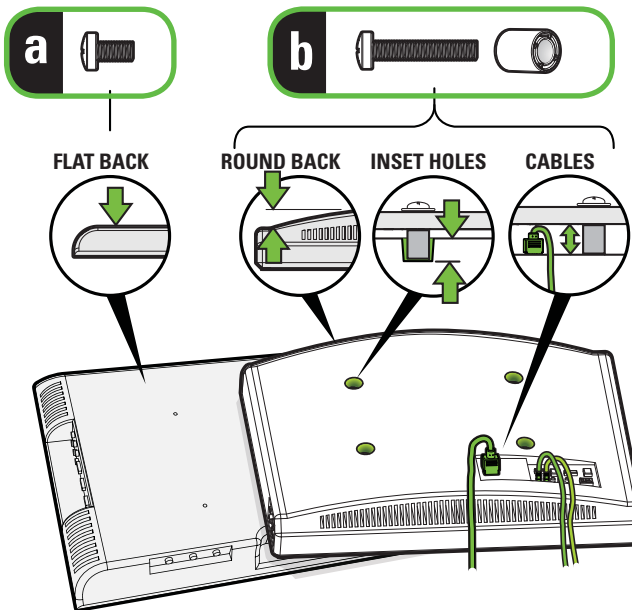


1-2 Select TV Screw Length

If your TV has a flat back AND you want your TV closer to the wall, use the shorter screws (a).

Use the spacers and longer screws (b) to accommodate:

- Round/irregular back TVs
- TVs with inset mounting holes
- Extra space needed for cables



Standard configurations are shown. For special applications, or if you are uncertain about your hardware selection, contact Customer Service at 1-800-359-5520 (UK: 0800 056 2853).

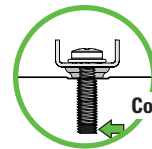
CAUTION:

Verify adequate thread engagement with your screw/washer/spacer combination AND TV bracket.

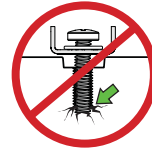
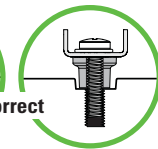
- Too short will not hold the TV.
- Too long will damage the TV.



Too Short



Correct



Too Long

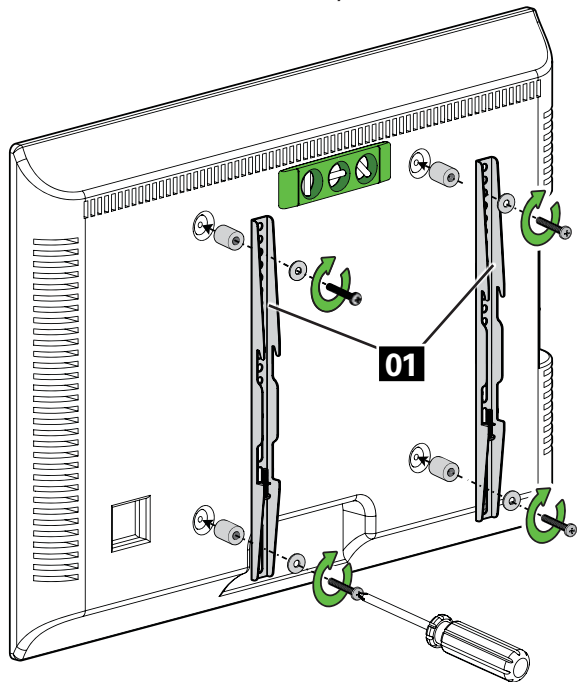
1-3 Attach TV Brackets

Ensure that your brackets are level and centered on the back of the TV.

Install using the TV screw/washer/spacer configuration you selected for your TV.

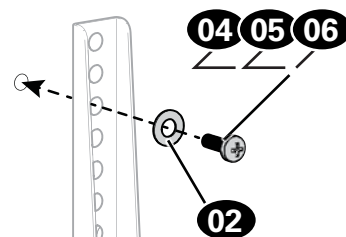
▲ CAUTION: Avoid potential personal injuries and property damage! DO NOT use power tools for this step. Tighten the screws only enough to secure the TV bracket to the TV. DO NOT overtighten the screws.

📌 IMPORTANT: Ensure TV bracket is securely fastened before moving on to the next step.



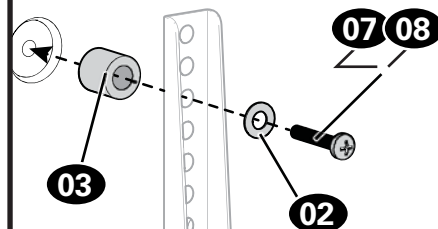
a

Flat Back



b

Round Back / Extra Space



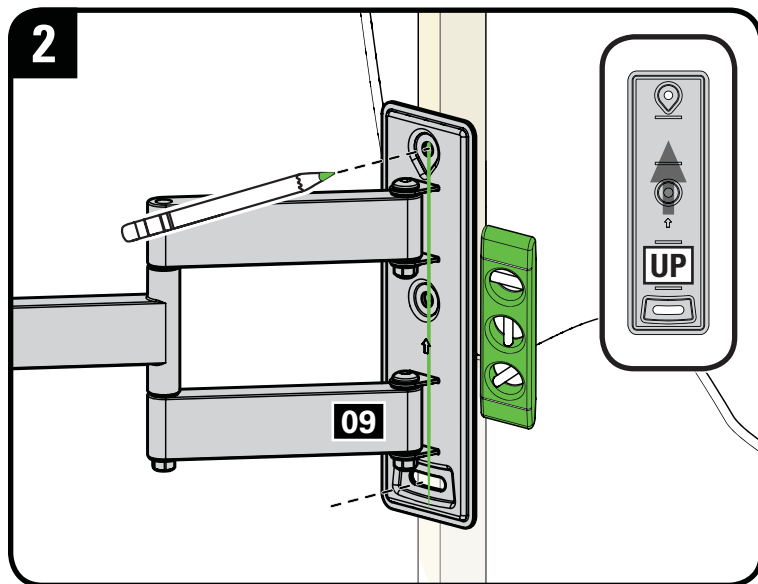
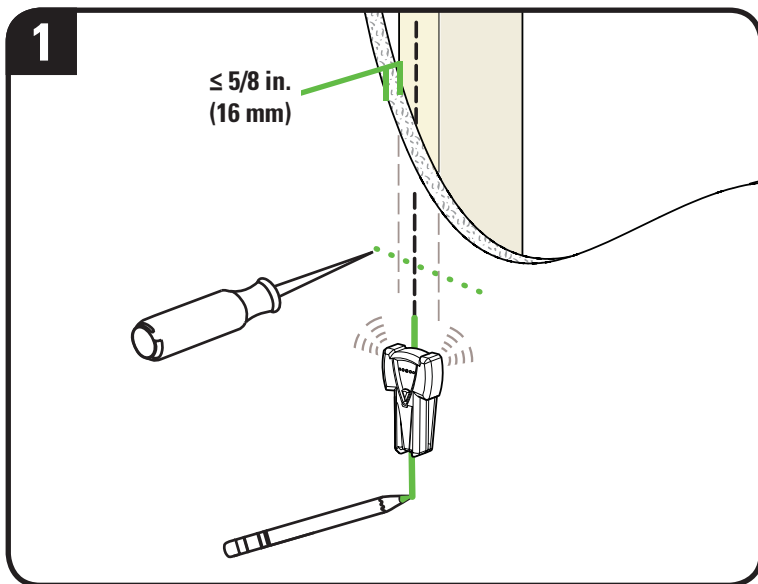
STEP 2A Attach Wall Plate

Wood Stud Installation

⚠ CAUTION: Avoid potential personal injury or property damage!

- Drywall covering the wall, must not exceed 5/8 in. (16 mm)
- Minimum wood stud size: common 2 x 4 in. (51 x 102 mm) nominal 1½ x 3½ in. (38 x 89 mm)
- Stud center must be verified

1. Locate your stud. Verify and mark the center of the stud by finding the stud edges using an awl, a thin nail, or an edge to edge stud finder.
2. Position the wall plate assembly **09** at your desired height and line up the holes with your stud center line. Level the wall plate assembly **09** and mark the top and bottom hole locations.



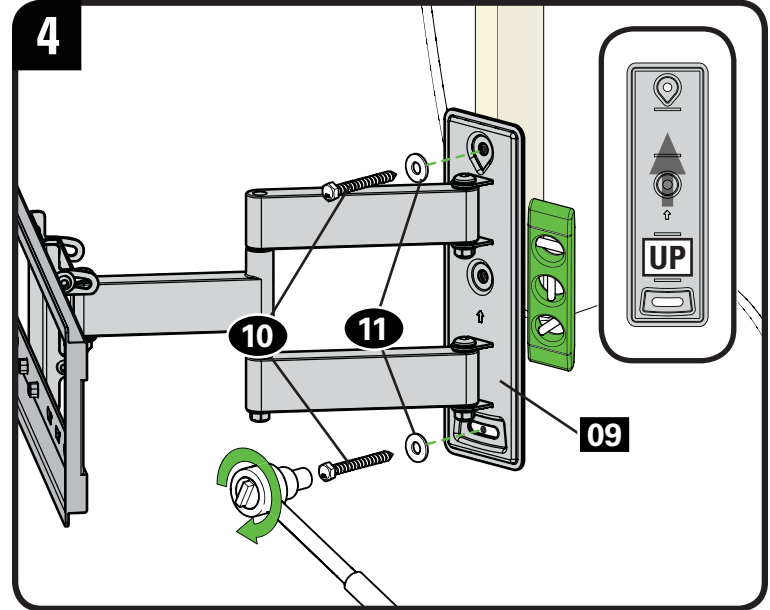
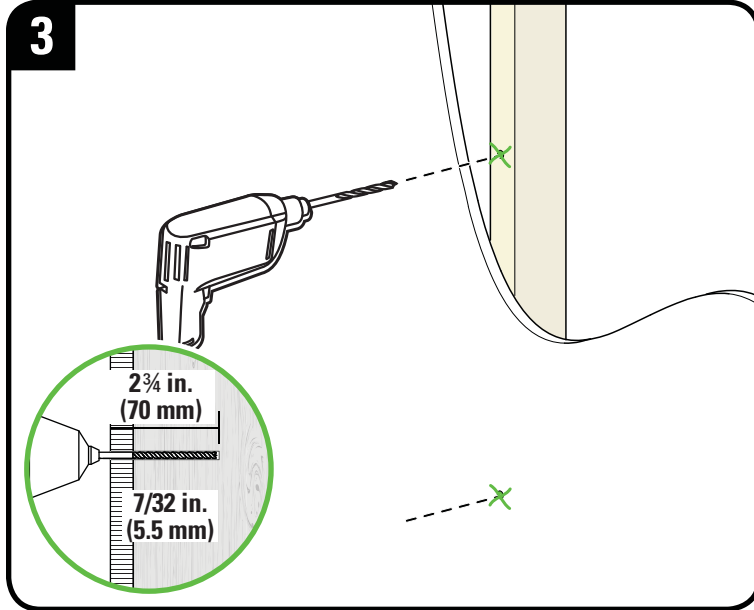
3. Drill the two pilot holes using a 7/32 in. (5.5 mm) diameter drill bit. Be sure to drill into the center of the studs.

❗ IMPORTANT: Pilot holes must be drilled to a depth of 2¾ in. (70 mm).

4. Install wall plate assembly **09**. Tighten lag bolts **10** only until the washers **11** are pulled firmly against the wall plate assembly **09**.

⚠ CAUTION: Improper use could reduce the holding power of the lag bolt. To avoid potential injuries or property damage Do not over-tighten the lag bolts **10**.

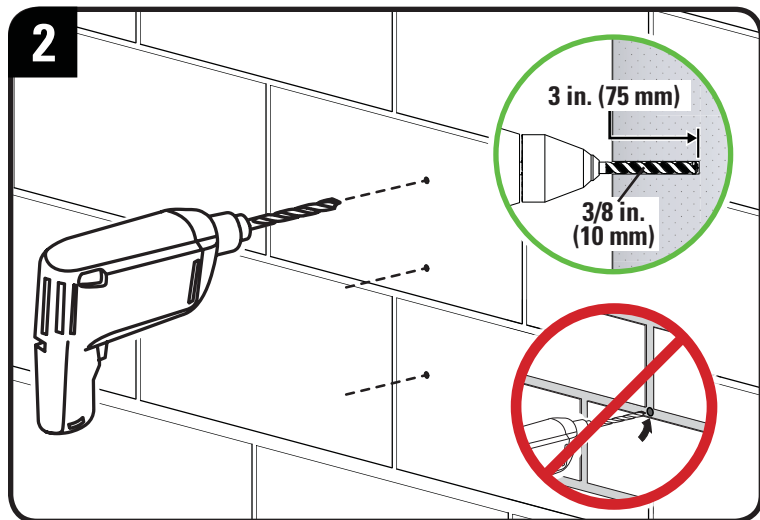
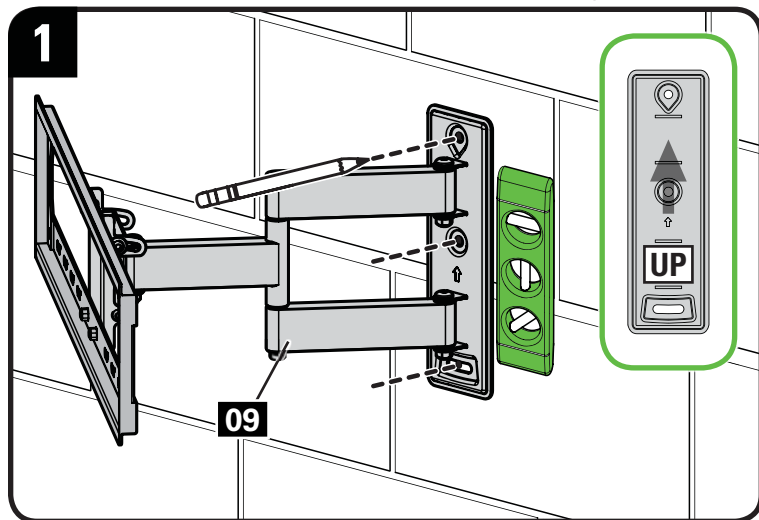
Go to STEP 3 on PAGE 12.



⚠ CAUTION: Avoid potential personal injury or property damage!

- Mount the wall plate assembly **09** directly onto the concrete surface.
- Minimum **solid concrete** thickness: 8 in. (203 mm)
- Minimum **concrete block** size: 8 x 8 x 16 in. (203 x 203 x 406 mm)

1. Position the wall plate **09** on the wall at your desired height. Level the wall plate **09** and mark the hole locations.
! IMPORTANT: Be certain you level the wall plate. **THE WALL PLATE IS NOT ADJUSTABLE AFTER INSTALLATION.**
2. Drill three pilot holes using a 3/8 in. (10 mm) diameter masonry drill bit.
! IMPORTANT: Pilot holes must be drilled to a depth of 3 in. (75 mm). Never drill into the mortar between blocks.



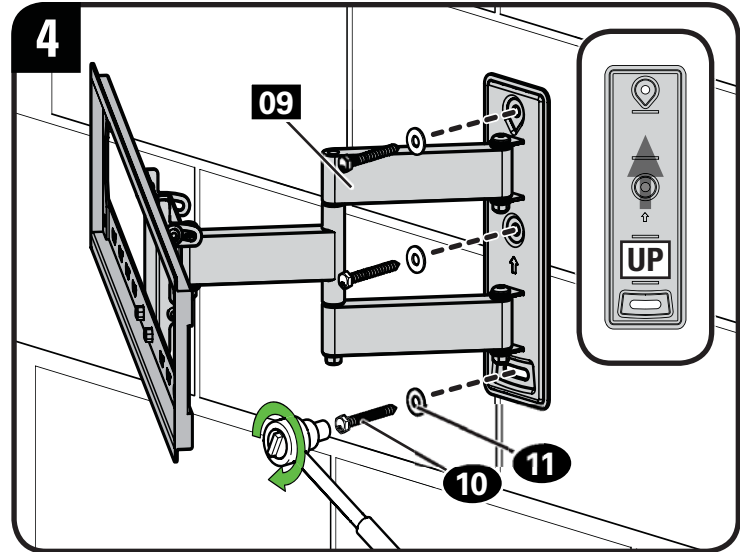
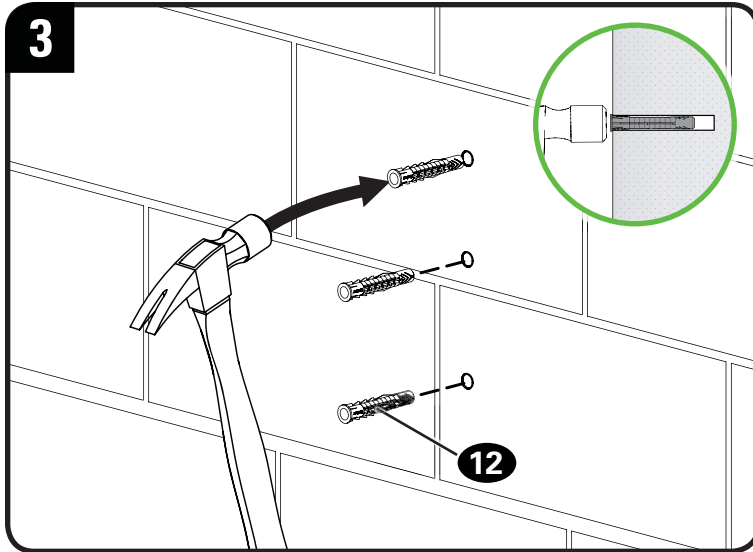
3. Insert three anchors **12**.

⚠ CAUTION: Be sure the anchors are seated flush with the concrete surface.

4. Install wall plate **09** using three lag bolts **10** and washers **11**. Tighten the lag bolts only until they are pulled firmly against the wall plate.

⚠ CAUTION: Improper use could reduce the holding power of the lag bolt. **DO NOT over-tighten the lag bolts.**

⚠ CAUTION: Avoid potential personal injury or property damage! All lag bolts MUST BE firmly tightened to prevent unwanted movement of the wall plate **09**. Ensure the wall plate is securely fastened to the wall before continuing on to the next step.

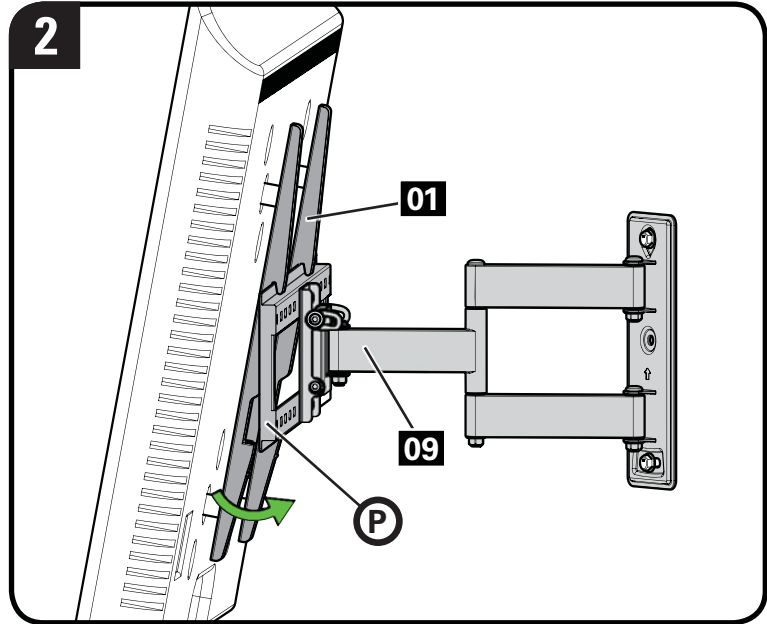
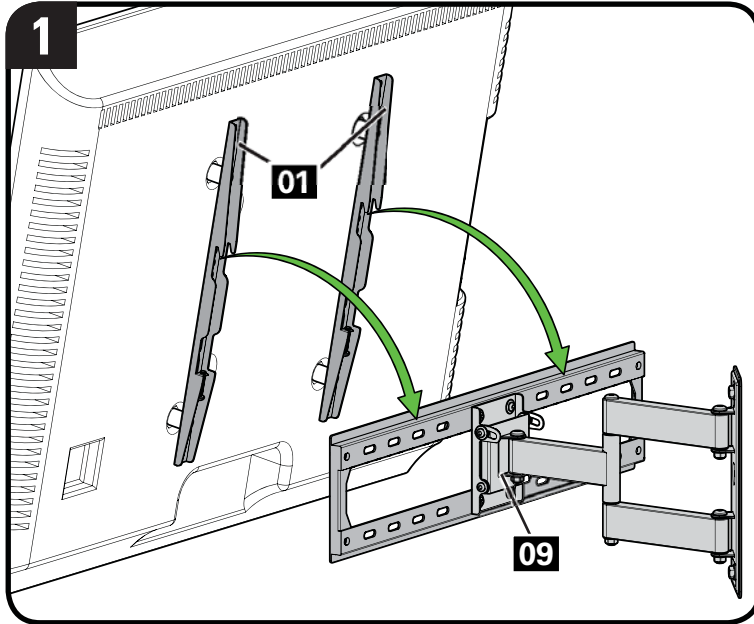


STEP 3 Attach TV to Wall Plate



HEAVY! You may need assistance with this step.

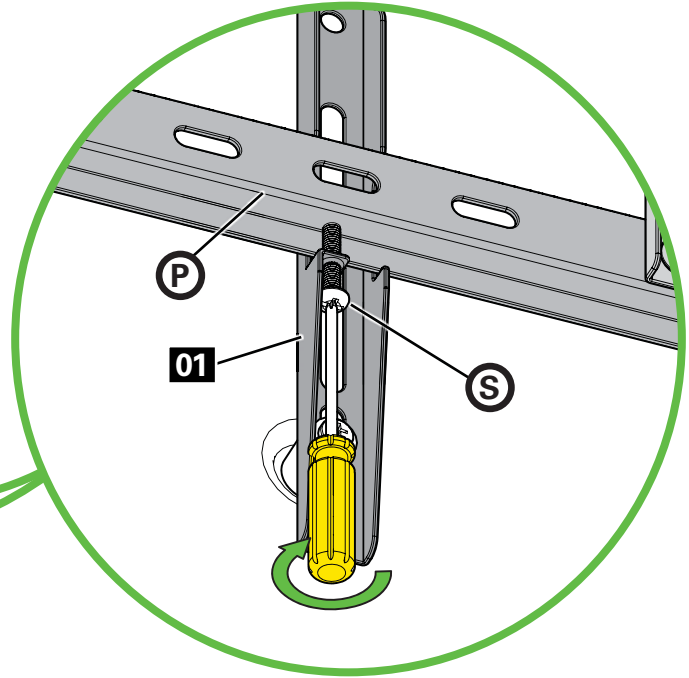
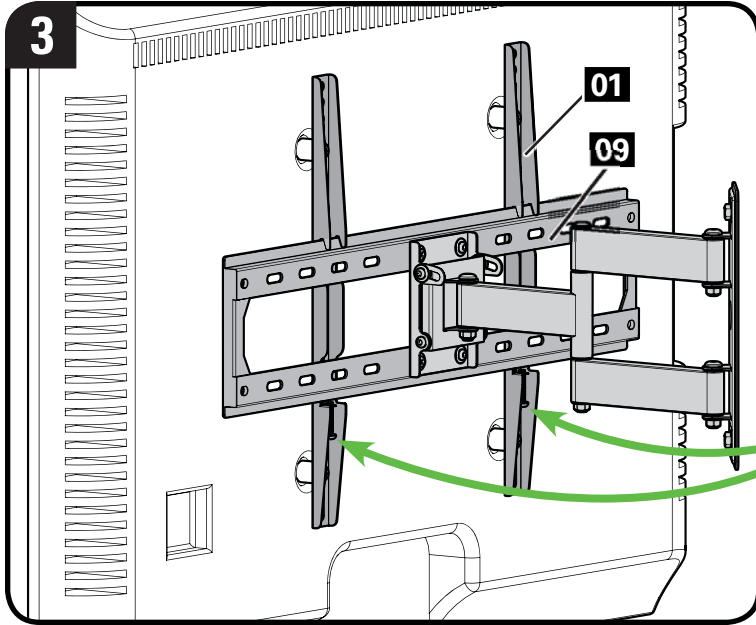
1. Hang the TV / TV brackets **01** onto the wall plate assembly **09**.
2. Allow the TV / TV brackets **01** to rest against the arm assembly plate **(P)**.



3. Secure the TV brackets **01** to the arm assembly **09** by tightening locking screws **(S)**.

! **IMPORTANT:** You may need to back out the locking screws **(S)** to allow the TV brackets **01** to rest flat against the arm assembly plate **(P)**.

! **CAUTION:** Avoid potential personal injury or property damage! Locking screws **(S)** must be tightened to secure the TV to the arm assembly **09**.

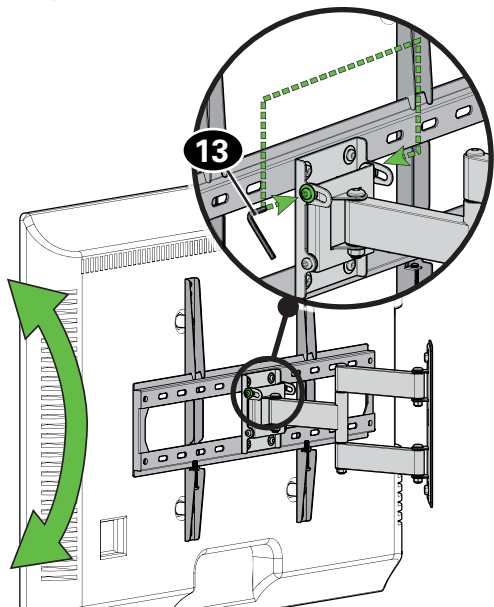


TV Adjustments

TILT ADJUSTMENT

To adjust the tilt level of your TV, using the 4 mm hex key **13**, loosen the tilt adjustment screws on both sides of the arm assembly, adjust the TV to the desired tilt angle and retighten the tilt adjustment screws.

NOTE: Once your TV is in place, tighten the tilt adjustment screws to prevent unwanted movement.



LEVEL ADJUSTMENT

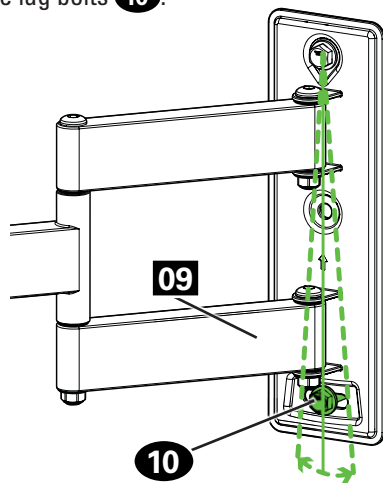
CAUTION: DO NOT adjust the level for solid concrete or concrete block installations.

For wood stud installations:

Remove the TV before adjusting.

To adjust the leveling of your TV, loosen the bottom lag bolt **10**, adjust arm assembly **09**, then tighten the bottom lag bolt **10**.

CAUTION: Improper use could reduce the holding power of the lag bolt. To avoid potential injuries or property damage Do not over-tighten the lag bolts **10**.

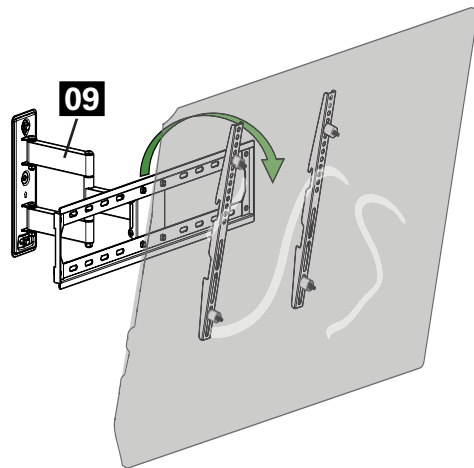


REMOVING THE TV

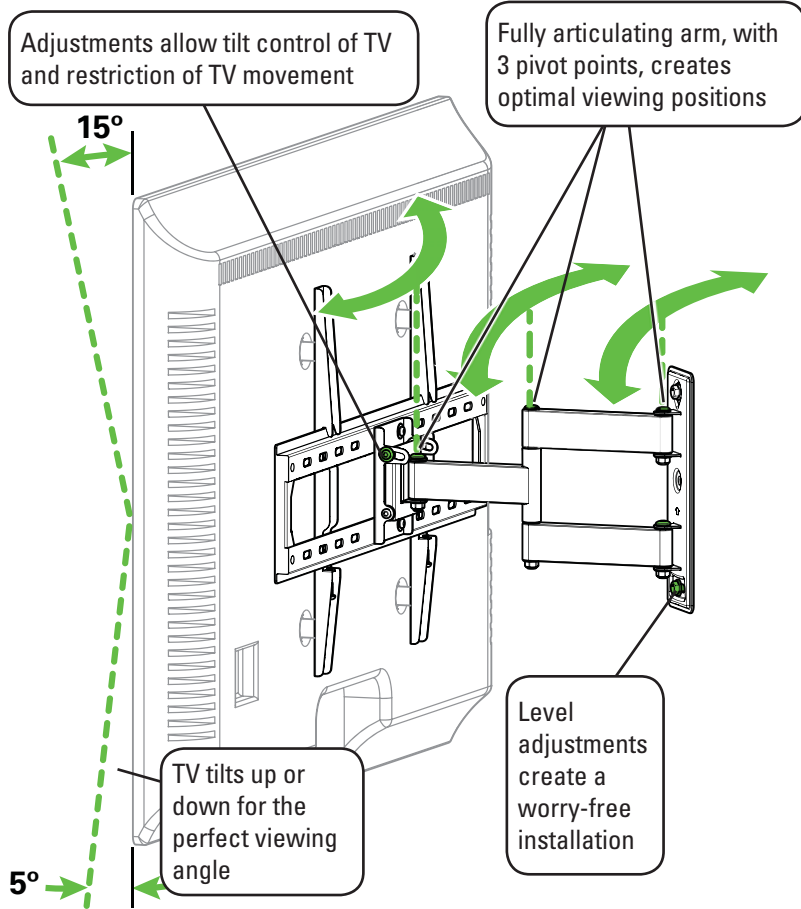
To remove your TV from the arm assembly **09**, disconnect all cables and then reverse the procedures in **STEP 3**.



HEAVY! You may need assistance with this step.



Features



SECURA

Thank you for choosing Secura! Please take a moment to let us know how we did:



Email us: info@secura-av.com



Call us: 1-800-359-5520

UK: 0800 056 2853

Milestone AV Technologies and its affiliated corporations and subsidiaries (collectively, "Milestone"), intend to make this manual accurate and complete. However, Milestone makes no claim that the information contained herein covers all details, conditions, or variations. Nor does it provide for every possible contingency in connection with the installation or use of this product. The information contained in this document is subject to change without notice or obligation of any kind. Milestone makes no representation of warranty, expressed or implied, regarding the information contained herein. Milestone assumes no responsibility for accuracy, completeness or sufficiency of the information contained in this document.

©2016 Milestone AV Technologies. All rights reserved. Secura is a brand of Milestone.

All other brand names or marks are used for identification purposes and are trademarks of their respective owners.